

TECHNICAL DATA



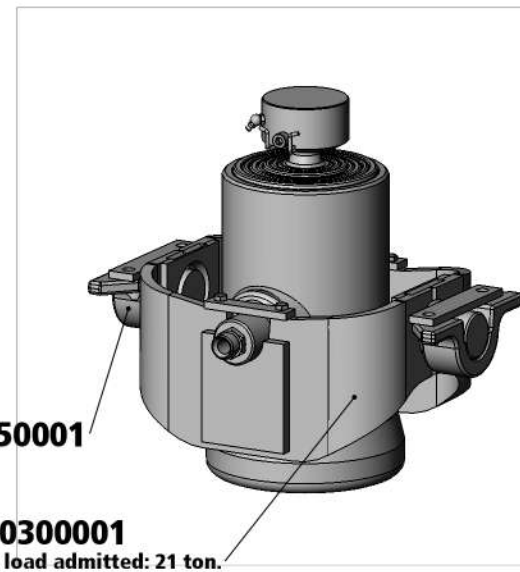
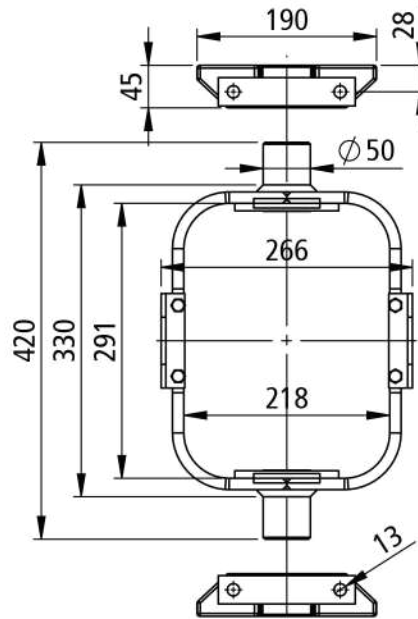
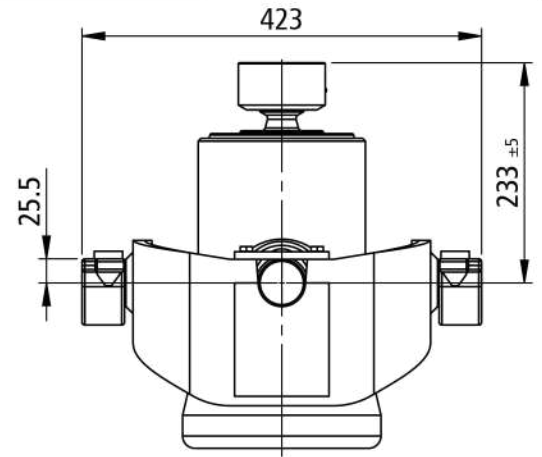
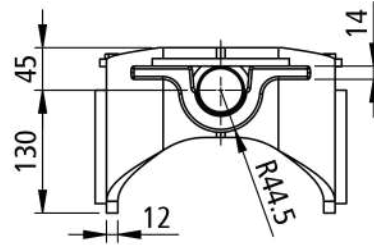
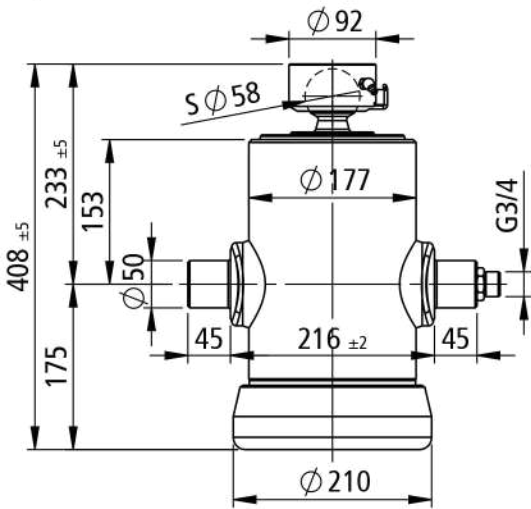
Under body cylinder, ball - pins

Part Number

12000C1547001

Tipping weight

10-23 ton



mounting dimension		233 mm + 20 mm min pull out				total stroke		1429 mm		max pressure		200 bar			
model: SC 1423 154 7				code: 12000C1547001				weight: 58 kg				HS Penta			
extension	1	2	3	4	5	6	7	-	-	--	--	number of stages: 7			
diameter [mm]	154	135	120	105	90	75	60	--	--	--	--				
stroke [mm]	215	211	212	206	200	196	189	--	--	--	--	total: 1429 mm			
thrust [kN]	373	286	226	173	127	88	57	--	--	--	--	max thrust admitted: 100 kN			
oil [dm³]	4.0	3.0	2.4	1.8	1.3	0.9	0.5	--	--	--	--	total: 13.9 dm³			