



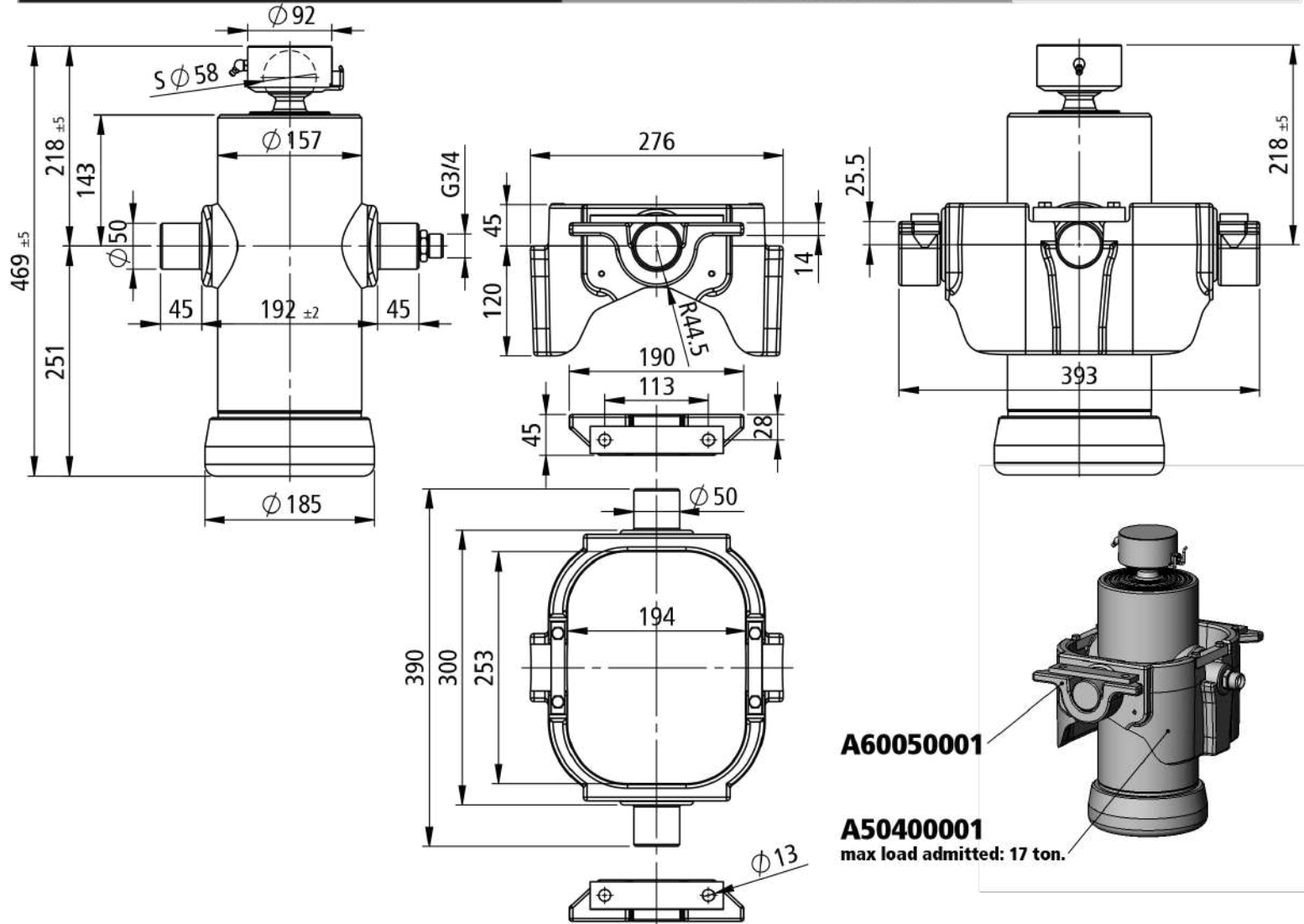
**Under body cylinder, ball - pins**

Part Number

**1200BA1356001**

Tipping weight

**11-20 ton**



**A60050001**

**A50400001**

max load admitted: 17 ton.

<b>mounting dimension</b>						<b>218 mm + 20 mm min pull out</b>						<b>total stroke</b>			<b>1549 mm</b>			<b>max pressure</b>			<b>200 bar</b>		
<b>model: SB/A 1549 135 6</b>						<b>code: 1200BA1356001</b>						<b>weight: 58 kg</b>			<b>HS Penta</b>								
<b>extension</b>	1	2	3	4	5	6	-	-	-	-	-	<b>number of stages: 6</b>											
<b>diameter [mm]</b>	135	120	105	90	75	60	-	-	-	-	-												
<b>stroke [mm]</b>	267	268	262	255	252	245	-	-	-	-	-	<b>total: 1549 mm</b>											
<b>thrust [kN]</b>	286	226	173	127	88	57	-	-	-	-	-	<b>max thrust admitted: 111 kN</b>											
<b>oil [dm³]</b>	3.8	3.0	2.3	1.6	1.1	0.8	-	-	-	-	-	<b>total: 12.6 dm³</b>											