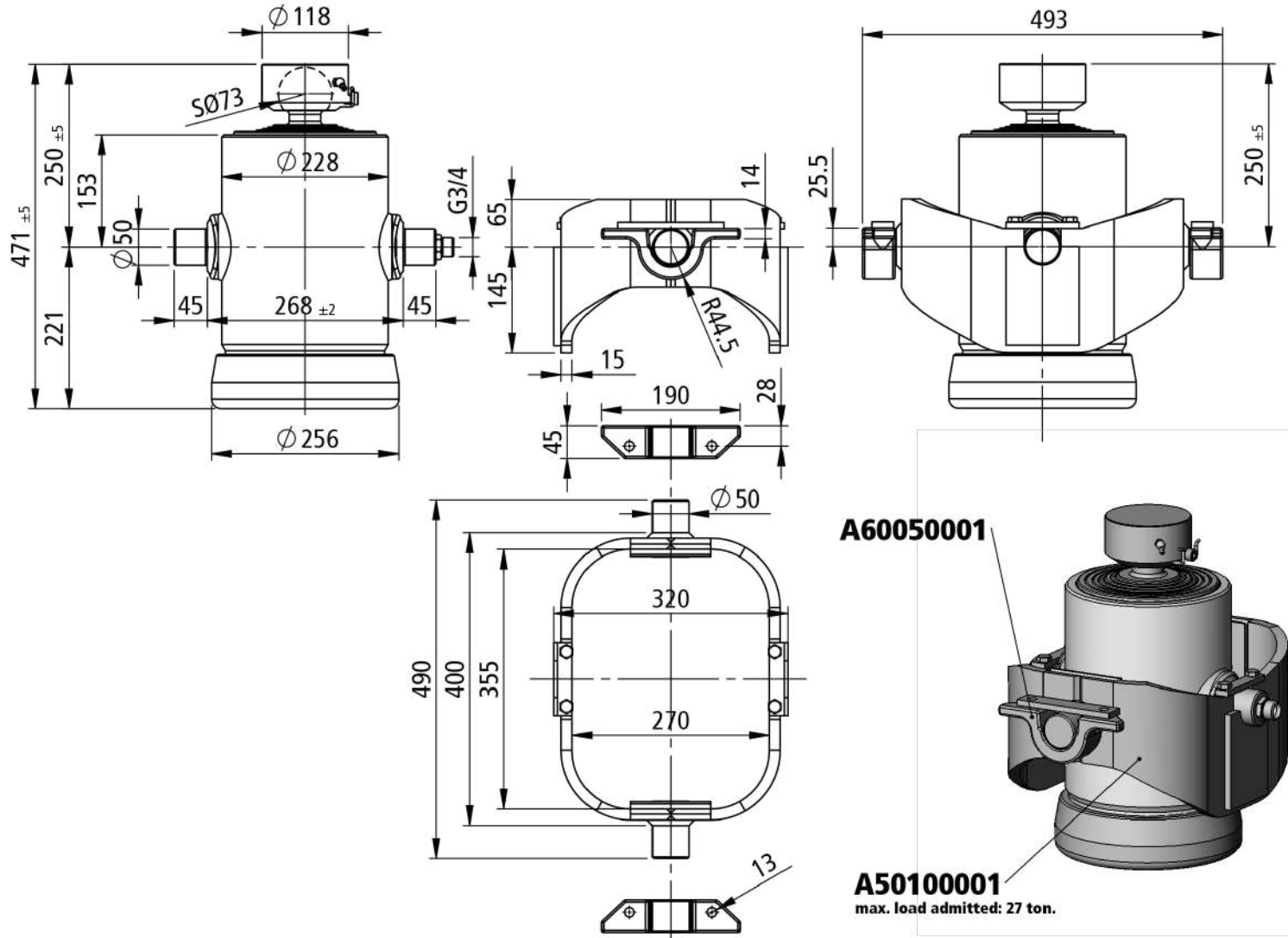



Under-body cylinder ball - pins

Part Number

12000B1967001

Tipping weight

18-41 ton

A60050001
A50100001
 max. load admitted: 27 ton.

mounting dimension					250 mm + 20 mm min pull out					total stroke		1737 mm	max pressure		200 bar
model: SB 1737 196 7					code: 12000B1967001					weight: 105 kg		HS Penta			
extension	1	2	3	4	5	6	7	-	-	--	--	number of stages: 7			
diameter [mm]	196	174	154	135	120	105	90	--	--	--	--				
stroke [mm]	253	258	253	244	247	243	239	--	--	--	--	total: 1737 mm			
thrust [kN]	603	476	373	286	226	173	127	--	--	--	--	max thrust admitted: 178 kN			
oil [dm³]	7.6	6.1	4.7	3.5	2.8	2.1	1.6	--	--	--	--	total: 28.4 dm³			