

TECHNICAL DATA



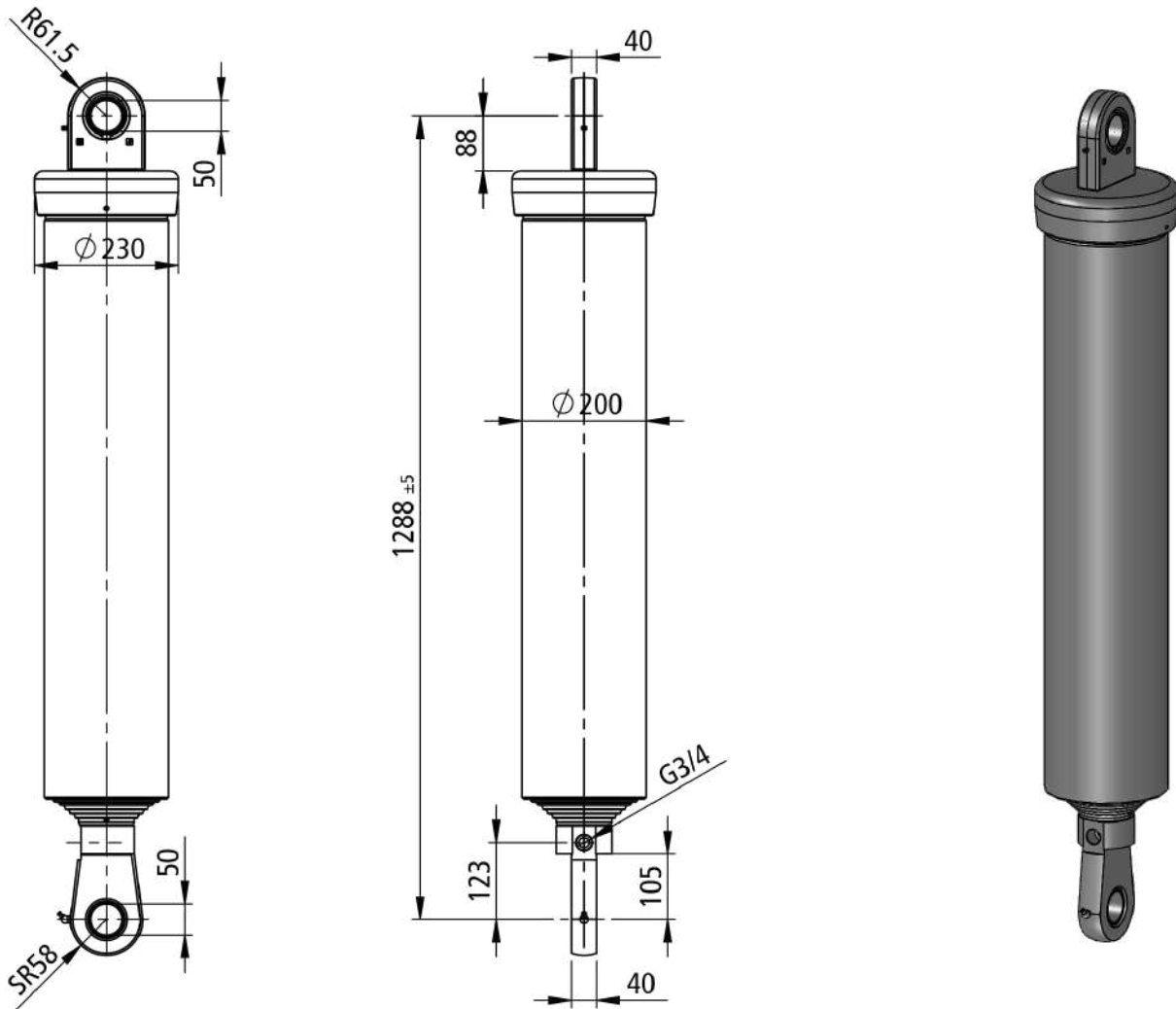
Front end cylinder, eye - eye (spherical bearing)

Part Number

4609901746007

Tipping weight

38-72 ton



mounting dimension 1288 mm + 20 (-5;+30) mm min pull out							total stroke 4832 mm				max pressure 200 bar		
model: PFS(S) 4832 174 6 CRN1					code: 4609901746007			weight: 180 kg				07013624	
extension	1	2	3	4	5	6	-	-	-	--	--	number of stages: 6	
diameter [mm]	174	154	135	120	105	90	--	--	--	--	--		
stroke [mm]	786	796	810	810	815	815	--	--	--	--	--	total: 4832 mm	
thrust [kN] at pmax	476	373	286	226	173	127	--	--	--	--	--		
oil [dm³]	18.7	14.8	11.6	9.2	7.1	5.1	--	--	--	--	--	total: 66.5 dm³	