



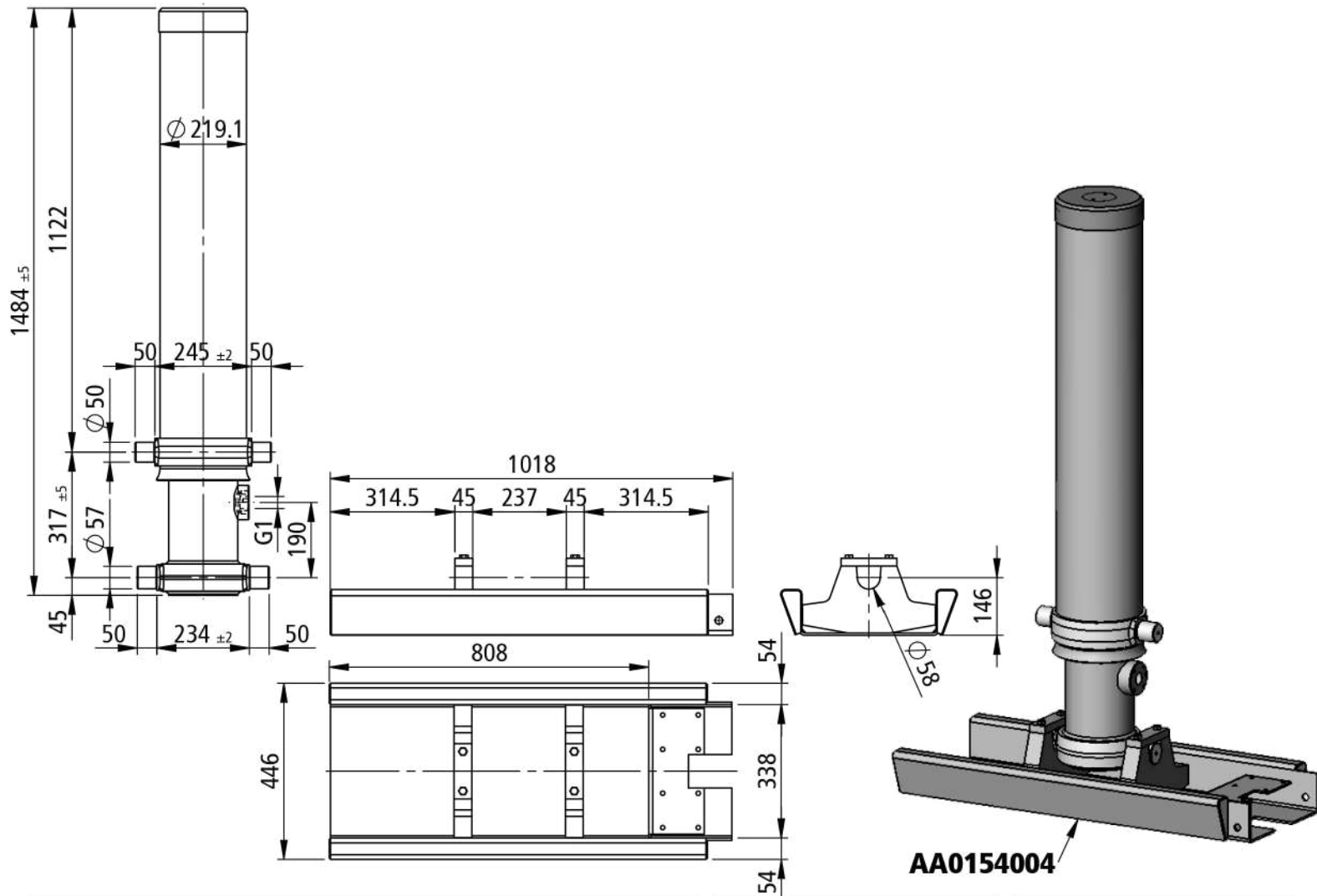
Front end cylinder with outer cover

Part Number

**4C13601544002**

Tipping weight

**37-74 ton**



**AA0154004**

<b>mounting dimension</b>	<b>317 mm + 20 (-5;+30) mm min pull out</b>				<b>total stroke</b>	<b>4640 mm</b>	<b>max pressure</b>	<b>250 bar</b>		
<b>model:</b>	<b>HPFC 4640 154 4</b>				<b>code:</b>	<b>4C13601544002</b>		<b>weight:</b>	<b>220 kg</b>	<b>07080211</b>
<b>extension</b>	1	2	3	4	-	-	-	-	-	<b>number of stages: 4</b>
<b>diameter [mm]</b>	154	135	116	98	--	--	--	--	--	<b>total: 4640 mm</b>
<b>stroke [mm]</b>	1158	1158	1158	1166	--	--	--	--	--	<b>average working thrust: 181 kN</b>
<b>thrust [kN] at pmax</b>	466	358	264	189	--	--	--	--	--	<b>total: 59.2 dm³</b>
<b>oil [dm³]</b>	21.6	16.6	12.2	8.8	--	--	--	--	--	