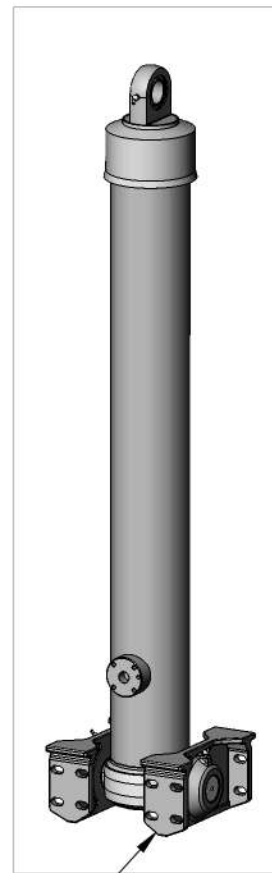
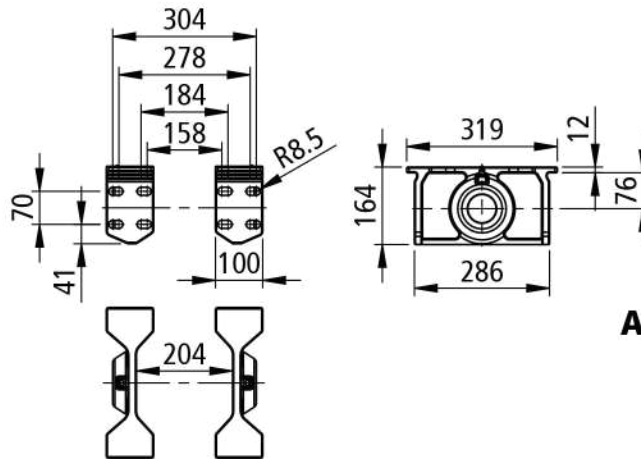
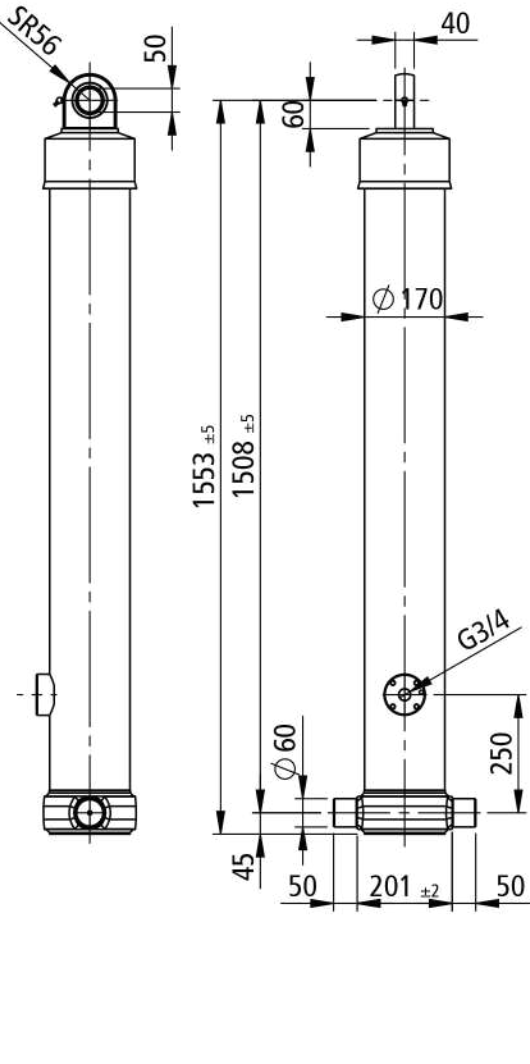



Front end cylinder, pins - eye (spherical bearing)

Part Number

4114301494003

Tipping weight

34-64 ton

A90060002

mounting dimension		1508 mm + 20 (-5,+30) mm min pull out				total stroke		4950 mm		max pressure		200 bar	
model: HF 4950 149 4		code: 4114301494003				weight: 172 kg				1222 000983			
extension	1	2	3	4	-	-	-	-	-	-	-	number of stages: 4	
diameter [mm]	149	129	111	95	-	-	-	-	-	-	-		
stroke [mm]	1230	1235	1240	1245	-	-	-	-	-	-	-	total: 4950 mm	
thrust [kN] at pmax	349	261	194	142	-	-	-	-	-	-	-		
oil [dm³]	21.4	16.1	12.1	8.8	-	-	-	-	-	-	-	total: 58.4 dm³	