



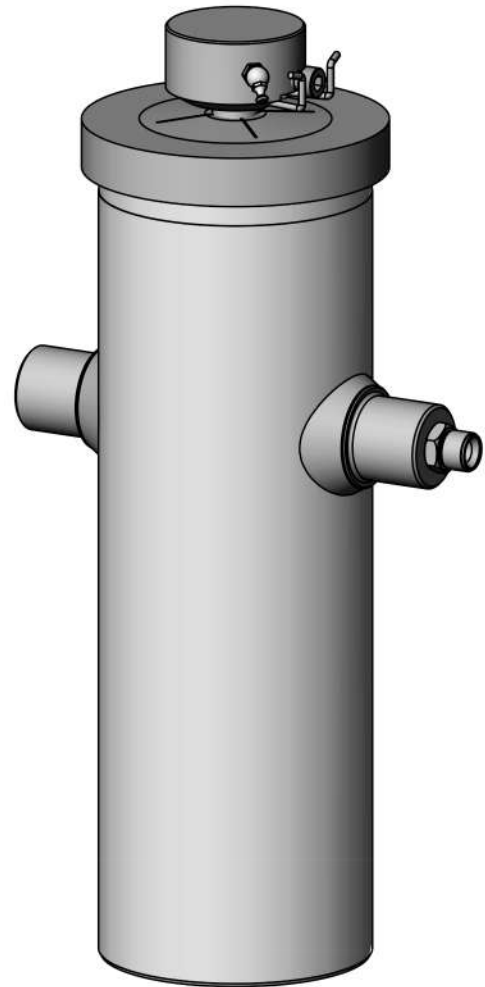
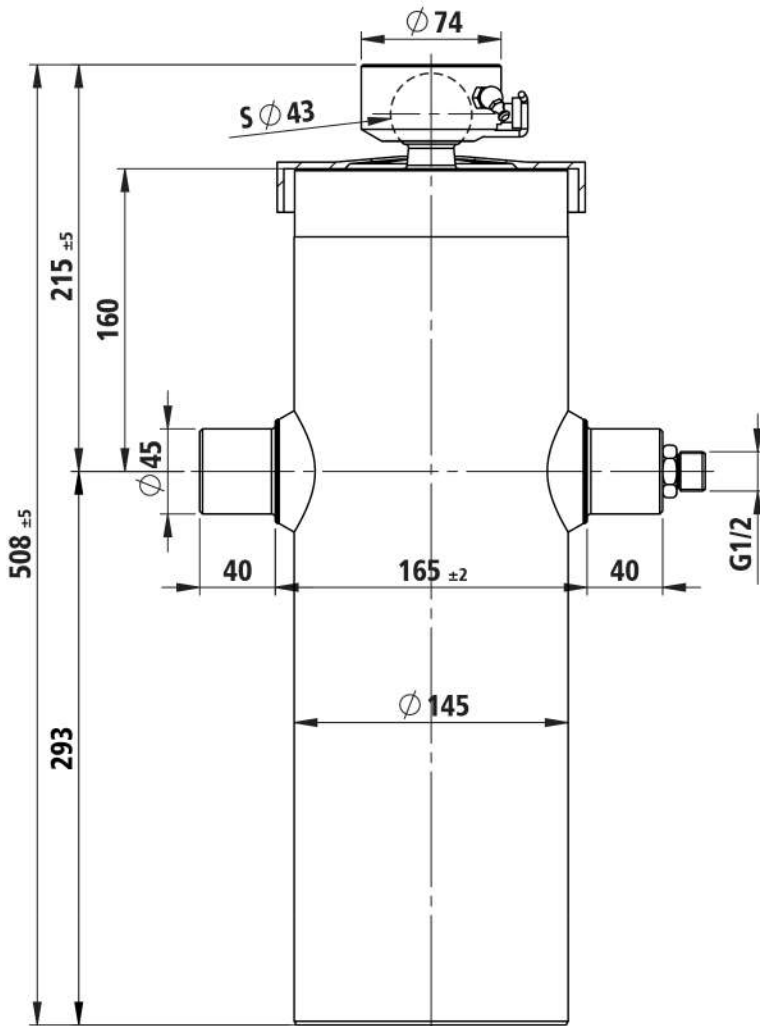
Light duty, ball - pins

Part Number

**3104101206001**

Tipping weight

**7-14 ton**



mounting dimension		<b>215 mm + 20 mm min pull out</b>				total stroke		<b>2057 mm</b>		max pressure		<b>200 bar</b>	
model: BL410 2057 120 6				code: 3104101206001				weight: 47 kg				HS Penta	
extension	1	2	3	4	5	6	-	-	-	--	--	number of stages: 6	
diameter [mm]	120	105	90	75	60	45	--	--	--	--	--		
stroke [mm]	348	348	335	338	341	347	--	--	--	--	--	total: 2057 mm	
thrust [kN]	226	173	127	88	57	32	--	--	--	--	--	max thrust admitted: 72 kN	
oil [dm <sup>3</sup> ]	3.9	3.0	2.1	1.5	1.0	0.6	--	--	--	--	--	total: 12.1 dm <sup>3</sup>	