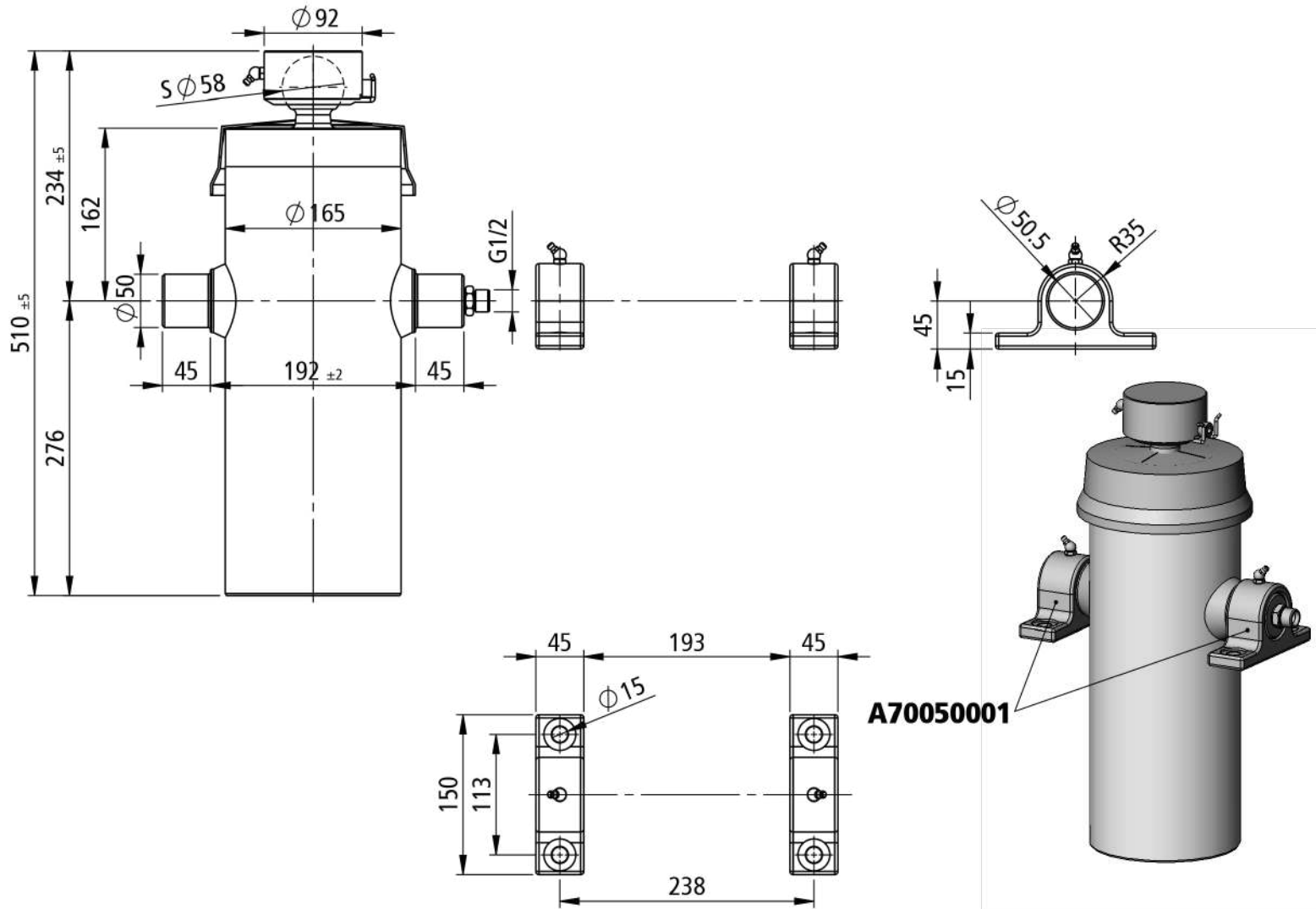



Light duty cylinder, ball - pins

Part Number

3104001405001

Tipping weight

13-22 ton


mounting dimension		234 mm + 20 (-5;+30) mm min pull out					total stroke		1615 mm		max pressure		180 bar	
model: BL400 1615 140 5		code: 3104001405001					weight: 63 kg		HS Penta					
extension	1	2	3	4	5	-	-	-	-	-	-	number of stages: 5		
diameter [mm]	140	120	105	90	75	--	--	--	--	--	--			
stroke [mm]	327	324	329	316	319	--	--	--	--	--	--	total: 1615 mm		
thrust [kN] at pmax	277	204	156	115	80	--	--	--	--	--	--	max admitted thrust: 126 kN		
oil [dm³]	5.0	3.7	2.9	2.0	1.4	--	--	--	--	--	--	total: 15.0 dm³		