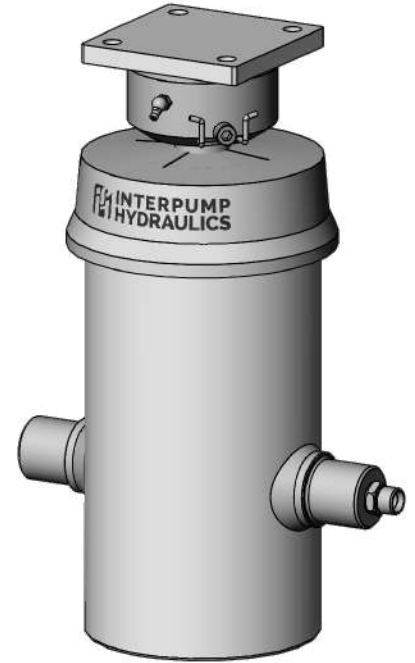
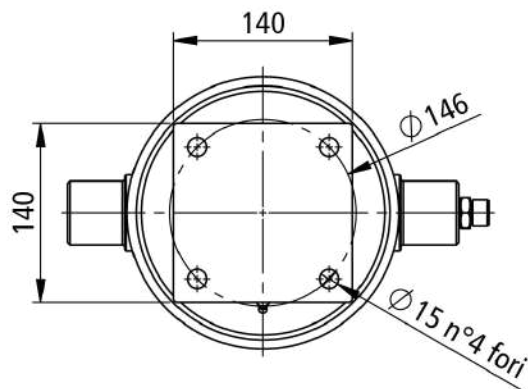
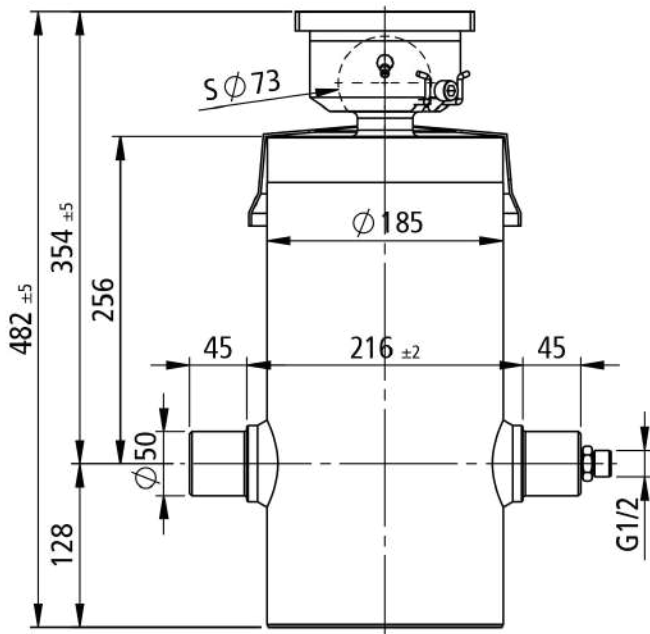



**Light duty cylinder, ball - pins**

Part Number

**3103351606005**

Tipping weight

**15-25 ton**


<b>mounting dimension</b>	<b>354 mm + 20 (-5;+30) mm min pull out</b>						<b>total stroke</b>	<b>1570 mm</b>			<b>max pressure</b>	<b>180 bar</b>	
<b>model:</b>	BL335 1570 160 6			<b>code:</b> 3103351606005			<b>weight:</b> 65 kg			07082873			
<b>extension</b>	1	2	3	4	5	6	-	-	-	-	-	<b>number of stages: 6</b>	
<b>diameter [mm]</b>	160	140	120	105	90	75	--	--	--	--	--		
<b>stroke [mm]</b>	260	266	263	268	255	258	--	--	--	--	--	<b>total: 1570 mm</b>	
<b>thrust [kN] at pmax</b>	362	277	204	156	115	80	--	--	--	--	--	<b>average working thrust: 146 kN</b>	
<b>oil [dm<sup>3</sup>]</b>	5.2	4.1	3.0	2.3	1.6	1.1	--	--	--	--	--	<b>total: 17.3 dm<sup>3</sup></b>	