

TECHNICAL DATA



PENTA
Interpump Hydraulics International



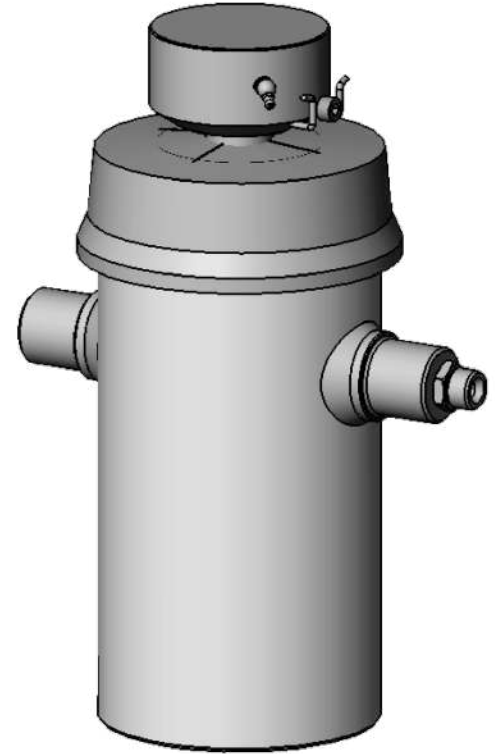
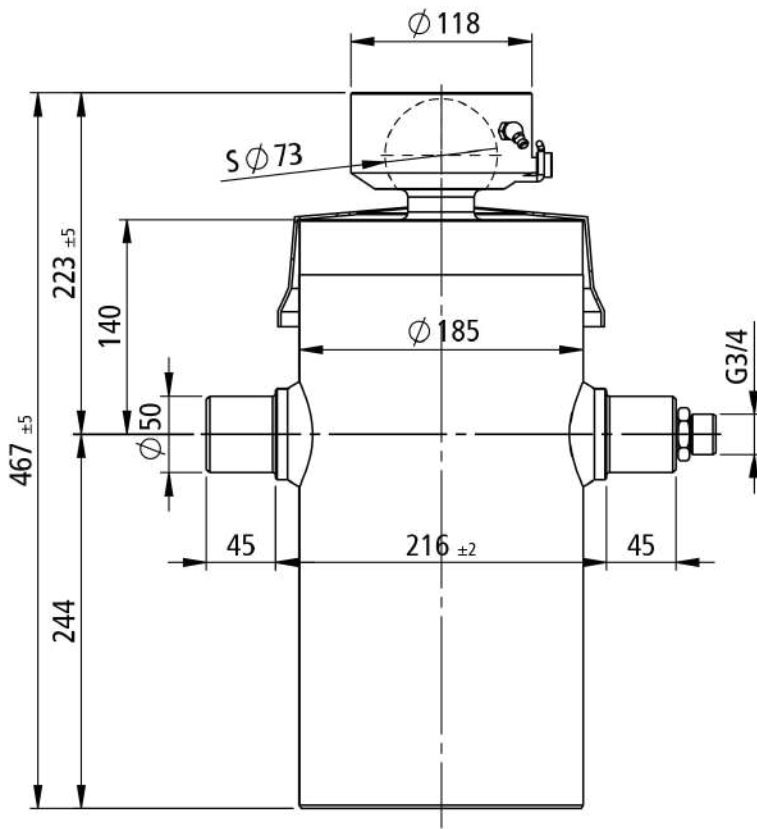
Light duty cylinder, ball - pins

Part Number

3103351606003

Tipping weight

15-25 ton



| | | | | | | | | | | | | | |
|------------------------|---|-----|-----|-------|-----|-----|---------------|----------------|----|---------|--------------|---------------------------------------|--|
| mounting dimension | 223 mm + 20 (-5;+30) mm min pull out | | | | | | total stroke | 1570 mm | | | max pressure | 180 bar | |
| model: | BL335 1570 160 6 | | | code: | | | 3103351606003 | | | weight: | | 62 kg | |
| extension | 1 | 2 | 3 | 4 | 5 | 6 | - | - | - | -- | -- | number of stages: 6 | |
| diameter [mm] | 160 | 140 | 120 | 105 | 90 | 75 | -- | -- | -- | -- | -- | | |
| stroke [mm] | 260 | 266 | 263 | 268 | 255 | 258 | -- | -- | -- | -- | -- | total: 1570 mm | |
| thrust [kN] at pmax | 362 | 277 | 204 | 156 | 115 | 80 | -- | -- | -- | -- | -- | average working thrust: 146 kN | |
| oil [dm ³] | 5.2 | 4.1 | 3.0 | 2.3 | 1.6 | 1.1 | -- | -- | -- | -- | -- | total: 17.3 dm³ | |