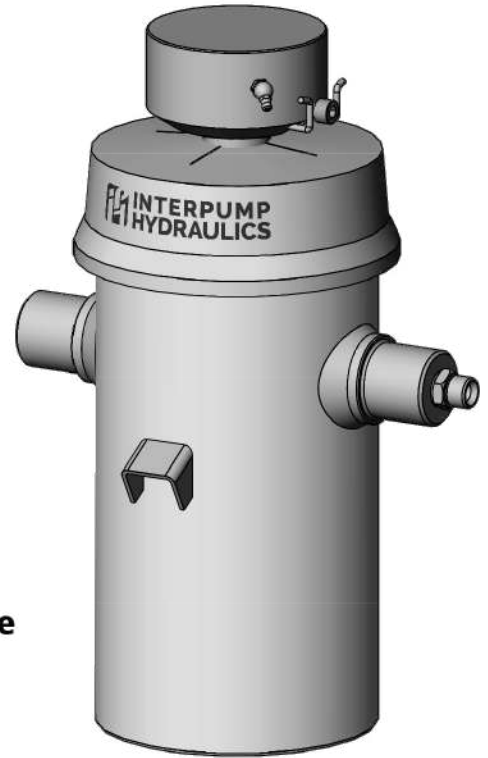
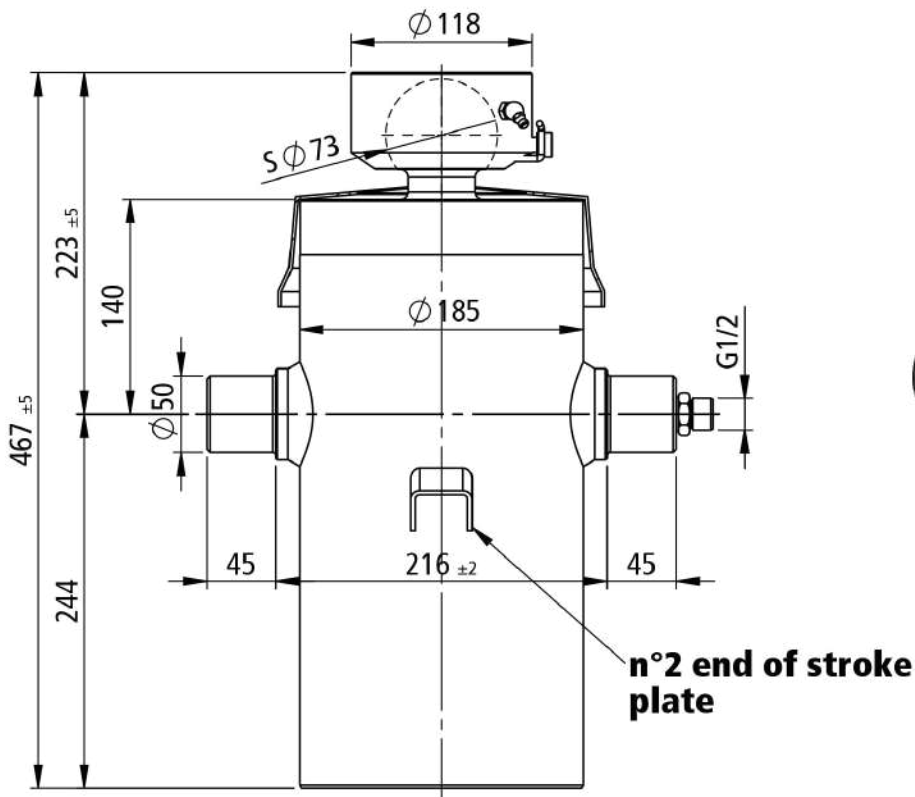



**Light duty cylinder, ball - pins**

Part Number

**3103351606002**

Tipping weight

**15-25 ton**


mounting dimension	<b>223 mm + 20 (-5;+30) mm min pull out</b>						total stroke	<b>1570 mm</b>		max pressure	<b>180 bar</b>	
model: BL335 1570 160 6 RF	code: 3103351606002						weight: 62 kg		07089069			
extension	1	2	3	4	5	6	-	-	-	-	-	number of stages: 6
diameter [mm]	160	140	120	105	90	75	--	--	--	--	--	
stroke [mm]	260	266	263	268	255	258	--	--	--	--	--	total: 1570 mm
thrust [kN] at pmax	362	277	204	156	115	80	--	--	--	--	--	average working thrust: 146 kN
oil [dm <sup>3</sup> ]	5.2	4.1	3.0	2.3	1.6	1.1	--	--	--	--	--	total: 17.3 dm <sup>3</sup>