



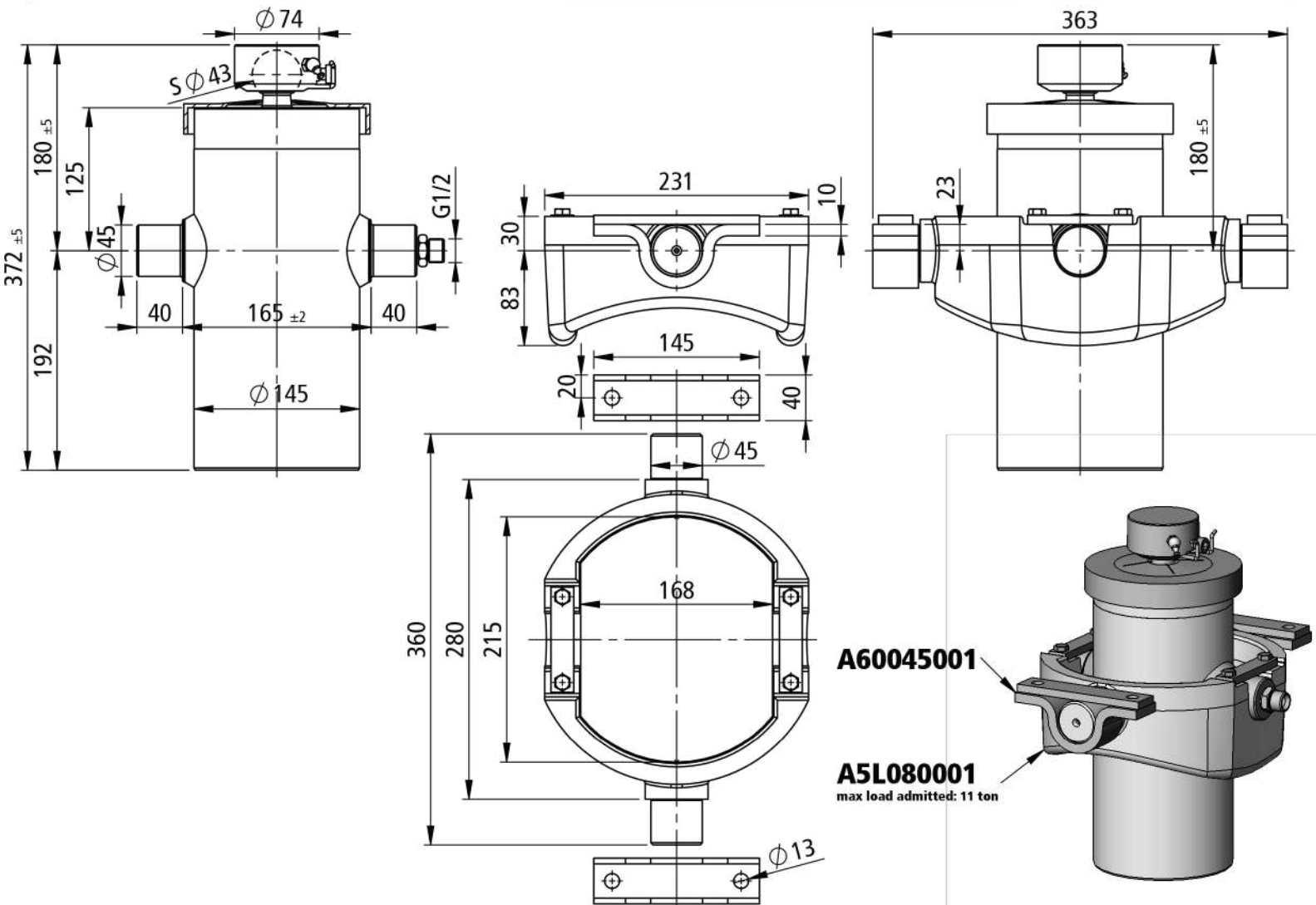
Light duty cylinder, ball - pins

Part Number

3102751206001

Tipping weight

7-14 ton



mounting dimension	180 mm + 20 mm min pull out	total stroke	1240 mm	max pressure	200 bar
model: BL275 1240 120 6	code: 3102751206001	weight: 33 kg	HS Penta		

extension	1	2	3	4	5	6	-	-	-	-	-	number of stages: 6
diameter [mm]	120	105	90	75	60	45	--	--	--	--	--	
stroke [mm]	207	213	200	203	205	212	--	--	--	--	--	total: 1240 mm
thrust [kN]	226	173	127	88	57	32	--	--	--	--	--	max thrust admitted: 72 kN
oil [dm ³]	2.3	1.8	1.3	0.9	0.6	0.3	--	--	--	--	--	total: 7.2 dm ³