



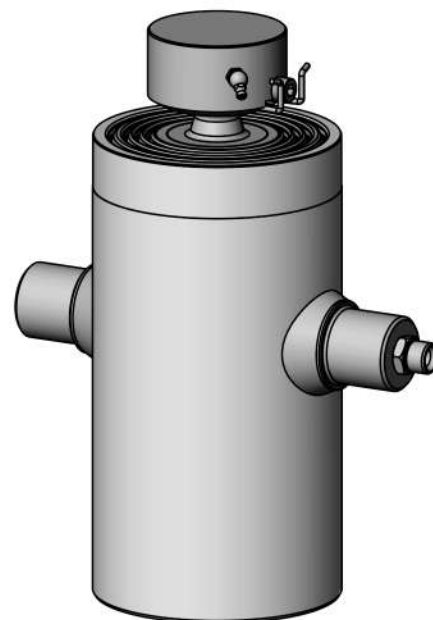
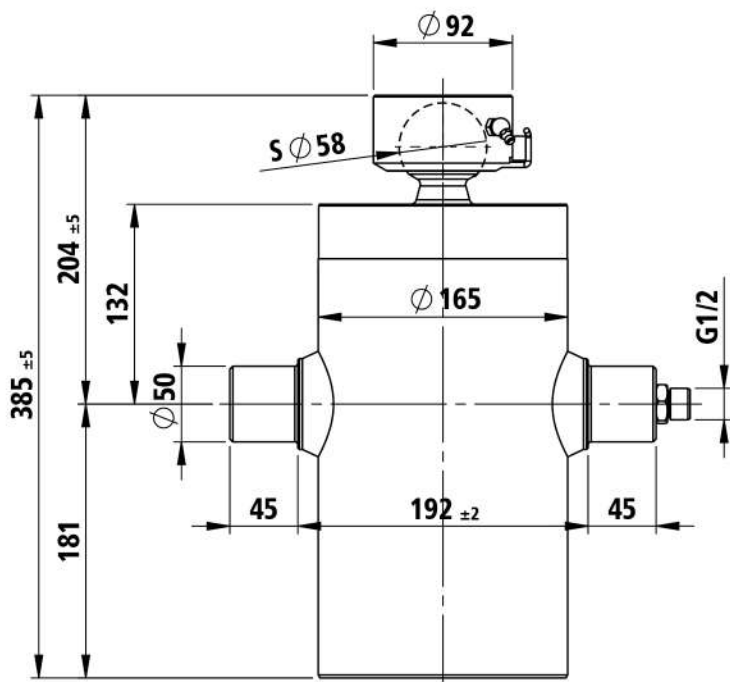
Light duty, pins - ball

Part Number

**3102701404001**

Tipping weight

**15-25 ton**



mounting dimension		<b>204 mm + 20 mm min pull out</b>				total stroke		<b>806 mm</b>		max pressure		<b>180 bar</b>			
model: BL270 806 140 4				code: 3102701404001				weight: 40 kg				HS Penta			
extension	1	2	3	4	-	-	-	-	-	-	-	number of stages: 4			
diameter [mm]	140	120	105	90	--	--	--	--	--	--	--				
stroke [mm]	207	204	204	191	--	--	--	--	--	--	--	total: 806 mm			
thrust [kN]	277	204	156	115	--	--	--	--	--	--	--	max thrust admitted: 148 kN			
oil [dm <sup>3</sup> ]	3.2	2.3	1.8	1.2	--	--	--	--	--	--	--	total: 8.5 dm <sup>3</sup>			